

FP3015c C-band Package Tunable Laser

Product Brief

FEATURES

- 40 nm tuning range:
fast, continuous, gap free
- Integrated SOA functions
as amplifier or shutter
- PM Fiber Output
- 14-pin Butterfly Package
- Internal Optical Isolator

APPLICATIONS

- C-WDM Communications
- Test and Measurement
- Sensing
- Spectroscopy

NOTES

1. Gap-free continuous wavelength tuning range.
2. Power depends on current tuning points and thermal management. 5 mW typical across majority of tuning range.

OVERVIEW

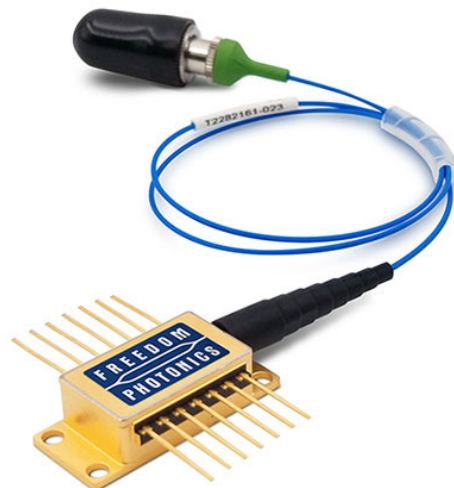
The FP3015c tunable laser consists of a monolithic Indium Phosphide chip that integrates a widely tunable laser with a semiconductor optical amplifier (SOA). The laser is electronically tuned and can address wavelengths in the C-band.

The integrated SOA facilitates flexible control of the output power and acts as a shutter when reverse biased, enabling dark tuning between channels.

The device is packaged into a standard 14-pin butterfly package, with an internal optical isolator and polarization maintaining fiber output.

SPECIFICATIONS

General Parameter	Value	Unit
Center Wavelength	1540	nm
Tuning Range ¹	≥40	nm
Output Power ²	5	mW
SMSR	>30	dB
Linewidth	<50	MHz
RIN	<-135	dBc/Hz



FP3015c C-band Package Tunable Laser

Product Brief

FEATURES

- 40 nm tuning range:
fast, continuous, gap free
- Integrated SOA functions
as amplifier or shutter
- PM Fiber Output
- 14-pin Butterfly Package
- Internal Optical Isolator

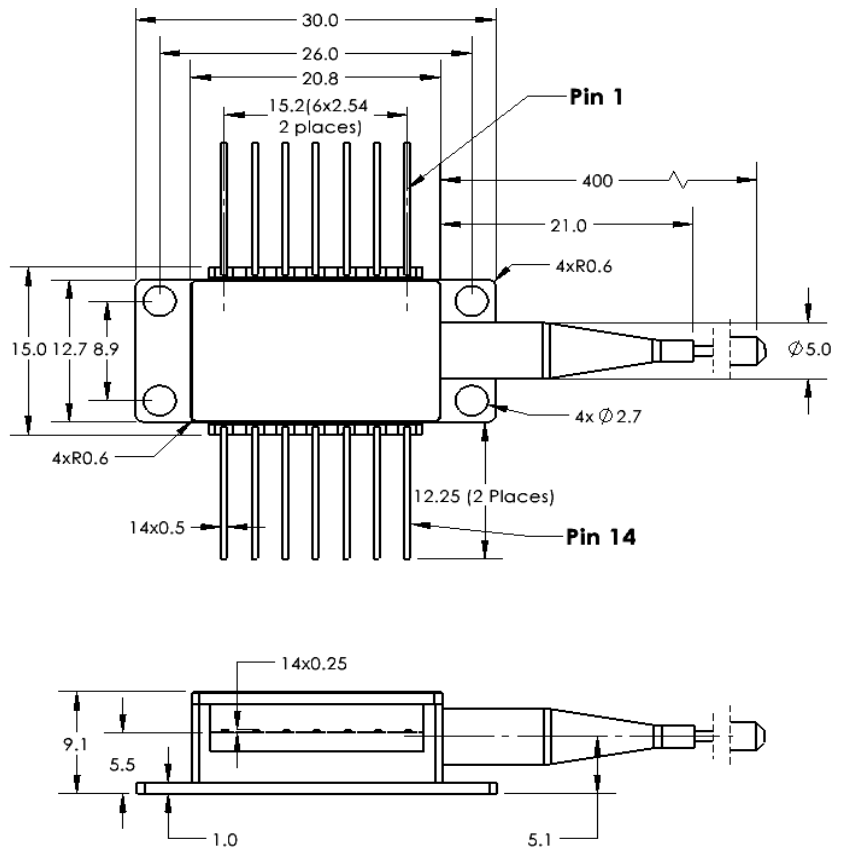
APPLICATIONS

- C-WDM Communications
- Test and Measurement
- Sensing
- Spectroscopy

PINOUT

Pin	Descriptions	Pin	Descriptions
1	TEC +	14	TEC -
2	Thermistor	13	Gain GND
3	Thermistor	12	Gain
4	SOA GND	11	PH GND
5	SOA	10	PH
6	FM GND	9	BM GND
7	FM	8	BM

MECHANICAL DRAWING



All Dimensions in millimeters